

Please make the following alterations to the User's Manual IM04L31A01-03E (see underlined text).

Page ii "Precautions Related to the Protection, Safety, and Alteration of the Product"

- Do not modify this product.
- This instrument is for indoor use only.

Page iv "MODEL"

Model code	Suffi code	Description
External storage medium	-1	Floppy disk
	-2	<u>100MB Zip disk</u>
	-3	ATA flash memory card (Compact flash and adapter)
	-5	<u>250MB Zip disk</u>

Page v

"Standard Accessories"

Number	Part Name	Part Number/Model	Q'ty	Notes
8	External storage medium	A1053MP	1	<u>100MB Zip disk, (provided only when the external storage medium suffix code is "-2.")</u>
		<u>A1056MP</u>	1	<u>250MB Zip disk, (provided only when the external storage medium suffix code is "-5.")</u>
		B9968NL	1	ATA flash memory card (32 MB CF card + adapter, capacity and model of the CF card may vary) provided only when the external storage medium suffix code is "-3."

"Optional Accessories (Sold Separately)"

Part Name	Part Number/Model	Q'ty	Notes
2 Zip disk	A1053MP	1	100 MB
	<u>A1056MP</u>	1	<u>250 MB</u>

Page 1-57 "Saving Data"

The measured data can also be saved to external storage media such as floppy disks (2HD), Zip disks (100 MB or 250 MB), and ATA flash memory cards (4 to 440 MB).

Page 2-2 "Installation Location"

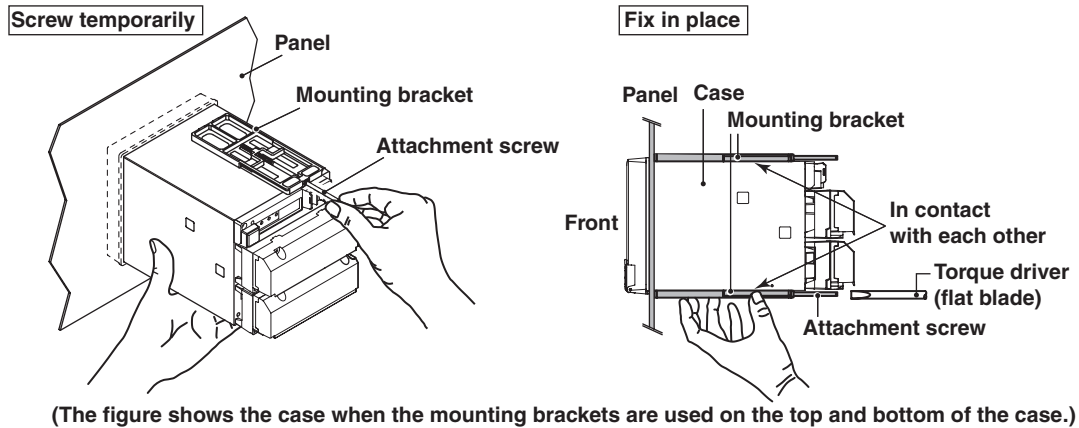
Install the instrument indoors, in a location that meets the following conditions. The environment of the installation location is described in section 14.8, "General Specifications."

Do not install the CX1000 in the following places:

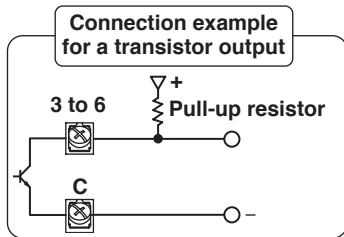
- **Outdoors**
- **In Direct Sunlight or Near Heat Appliances**

Page 2-3 "Installation Procedure"

- The adequate tightening torque of the screws for the panel mounting brackets is 0.7 to 0.9 N·m.
- Mount the CX1000 to the panel according to the procedure below.
 - First, attach the two mounting brackets and temporarily fasten the attachment screws.
 - Next, fix the CX1000 in place by tightening the attachment screws with the appropriate torque. When the CX1000 is approximately perpendicular to the panel as you fasten the screws, press the mounting bracket against the case so that they are in contact with each other.



Page 2-12 “Contact Output (DIGITAL OUT) Wiring”



Page 3-13 “3.4, Setting the Brightness of the Display and the Backlight Saver Function”

Note

The degradation of the brightness and the discoloration of the screen (become yellowish) tend to progress faster as the brightness is set higher. Extended use at an unnecessary high setting should be avoided. It is also recommended that the backlight saver be used.

Page 4-7 “Contact input information registration”

- ControlStart/Stop (1 and 2)
Select this when registering a contact input for starting the control operation of each internal loop. The rising edge of the signal signifies “Stop”; the falling edge of the signal signifies “Run.”

Page 9-12 “Formatting the External Storage Medium”

Note

Only 100 MB Zip disks can be used with model CX1*** -2. With model CX1*** -5, 250 MB and 100 MB Zip disks can be used. However, 100 MB Zip disks must be formatted using quick (logical) formatting rather than normal (physical) formatting.

Page 13-4 “13.3 Replacement of Parts”

Note

- : The LCD replacement period indicates the half life of the brightness when the brightness is set to the factory default setting. The half life is shortened as the brightness is set higher. The deterioration of brightness varies depending on the condition of use, and its determination is subjective. Consider these facts for determining the actual replacement period.
- : The color of the LCD may become yellowish as time elapses. The discoloration tends to progress faster as the brightness is set higher.

Page 14-8 “14.5 Storage Function”

- External storage medium: Selectable from the following when ordering:
- 3.5-inch floppy disk (2HD)
 - PCMCIA ATA flash memory card (4 to 440 MB), or CF card (3 MB to 51 MB, adapter required)
 - Zip disk (100 MB or 250 MB)